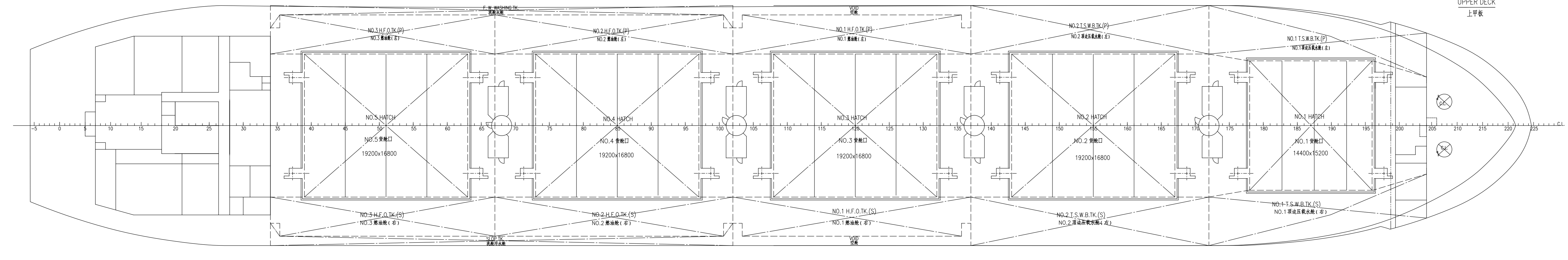
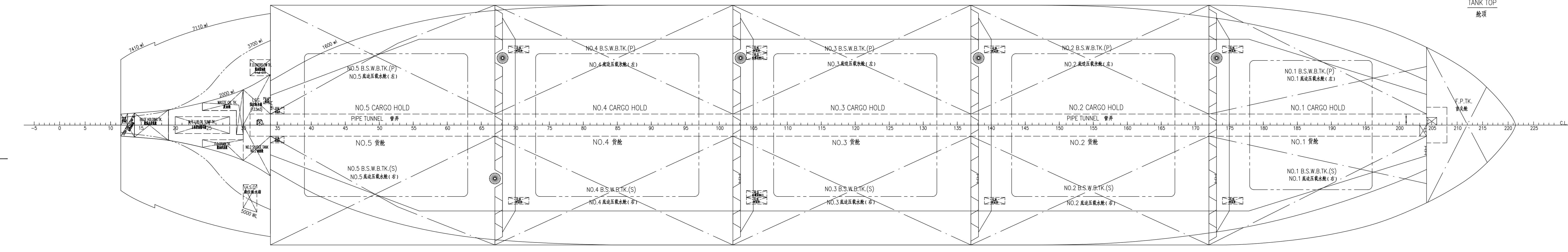


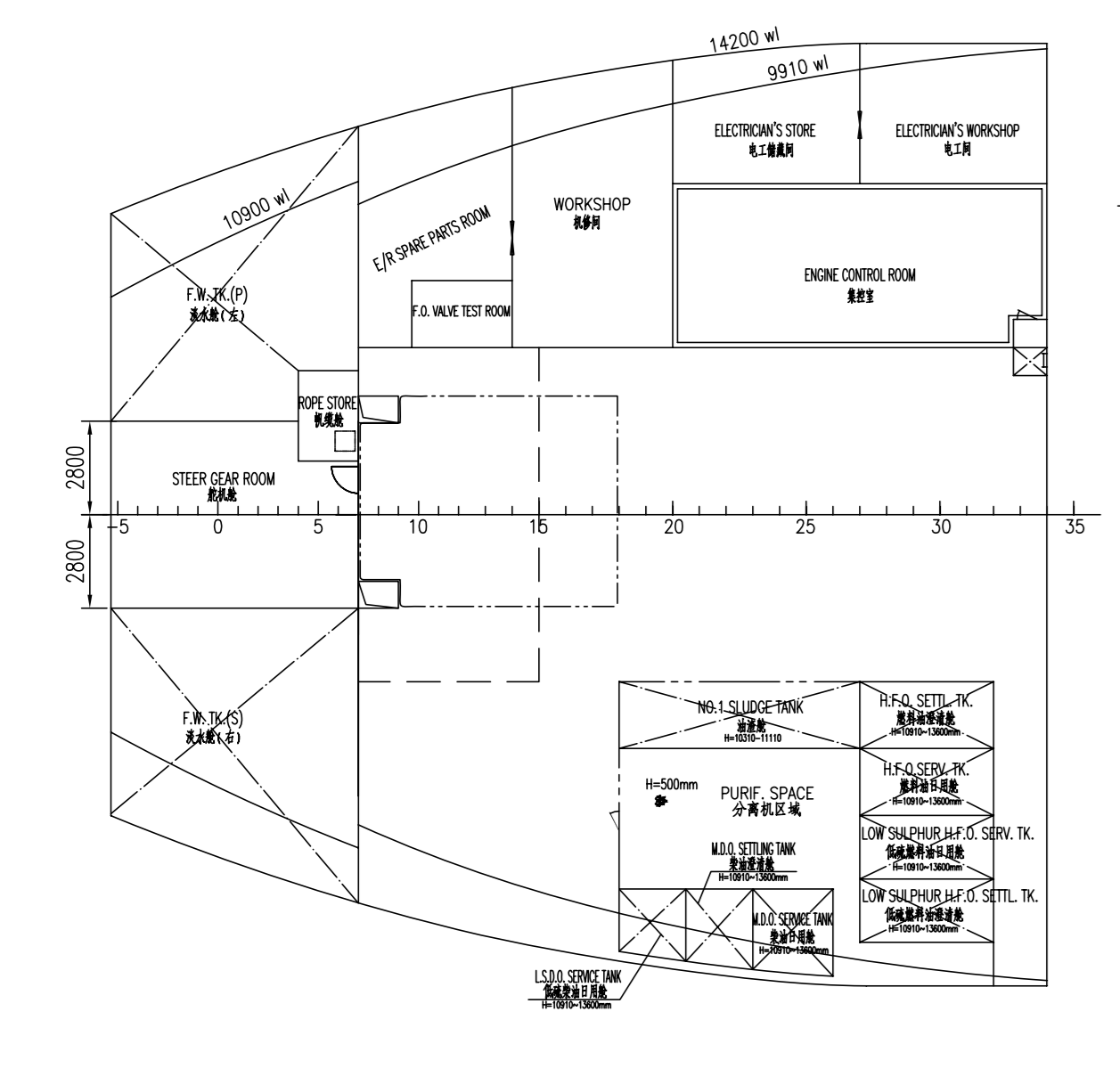
UPPER DECK 上甲板



TANK TOP 舱顶



UPPER PLATFORM 上层平台



LOWER PLATFORM 下层平台

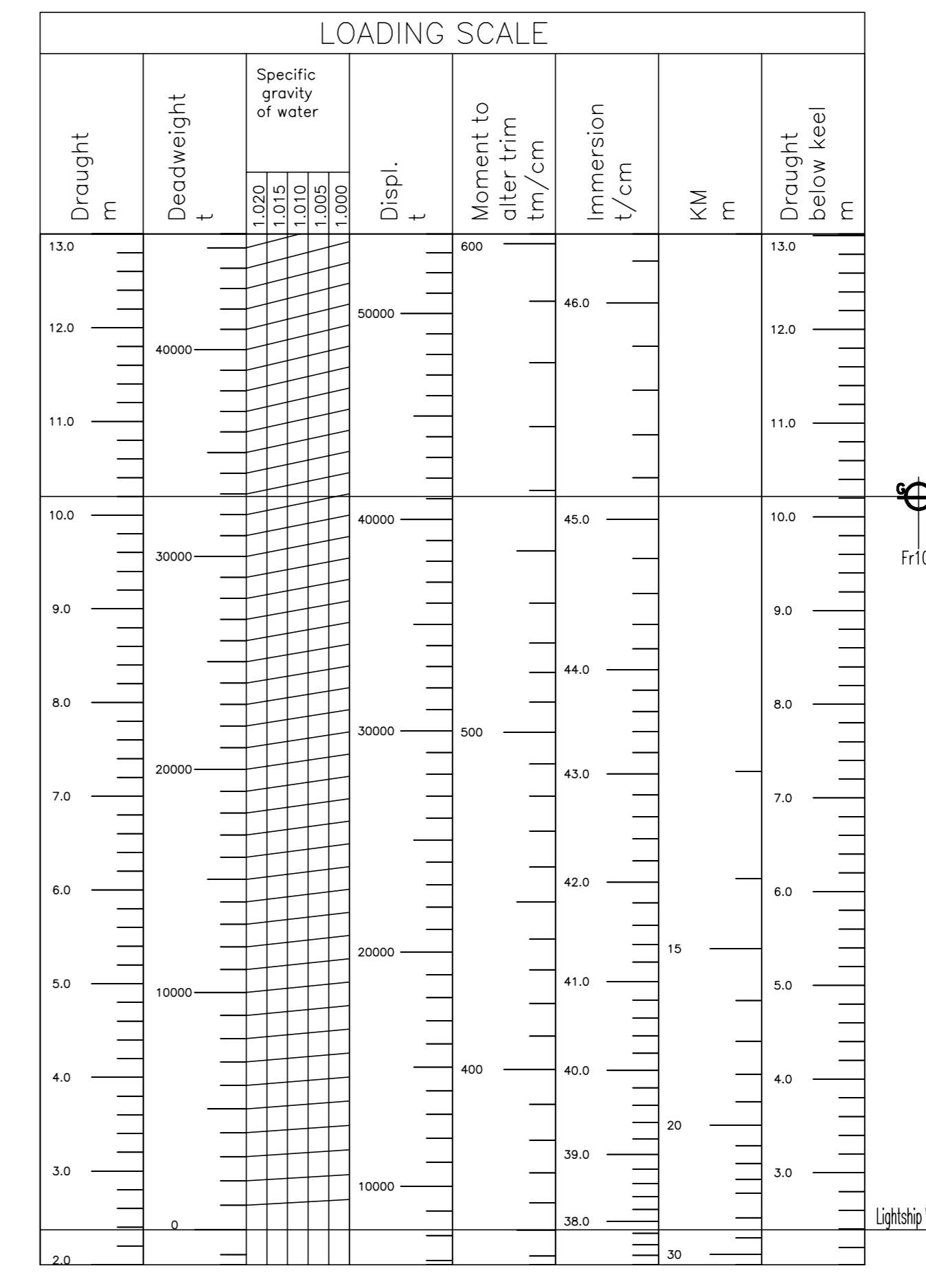
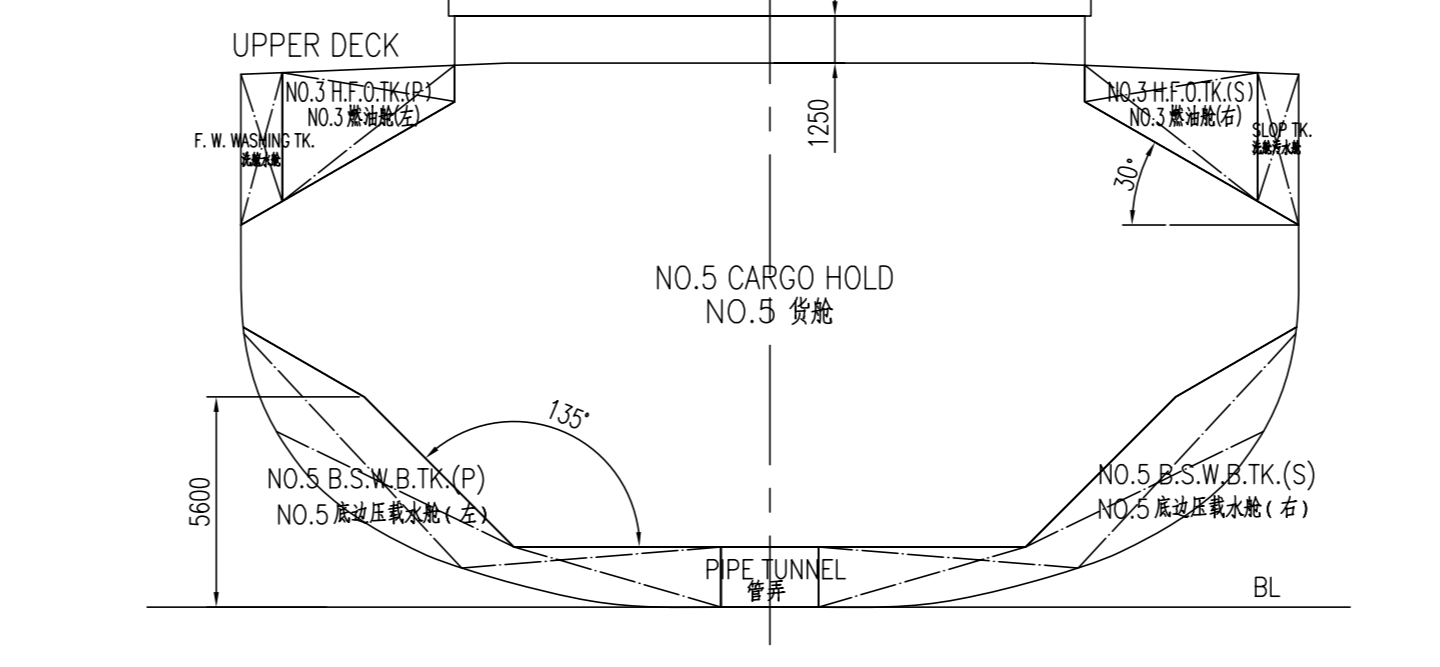
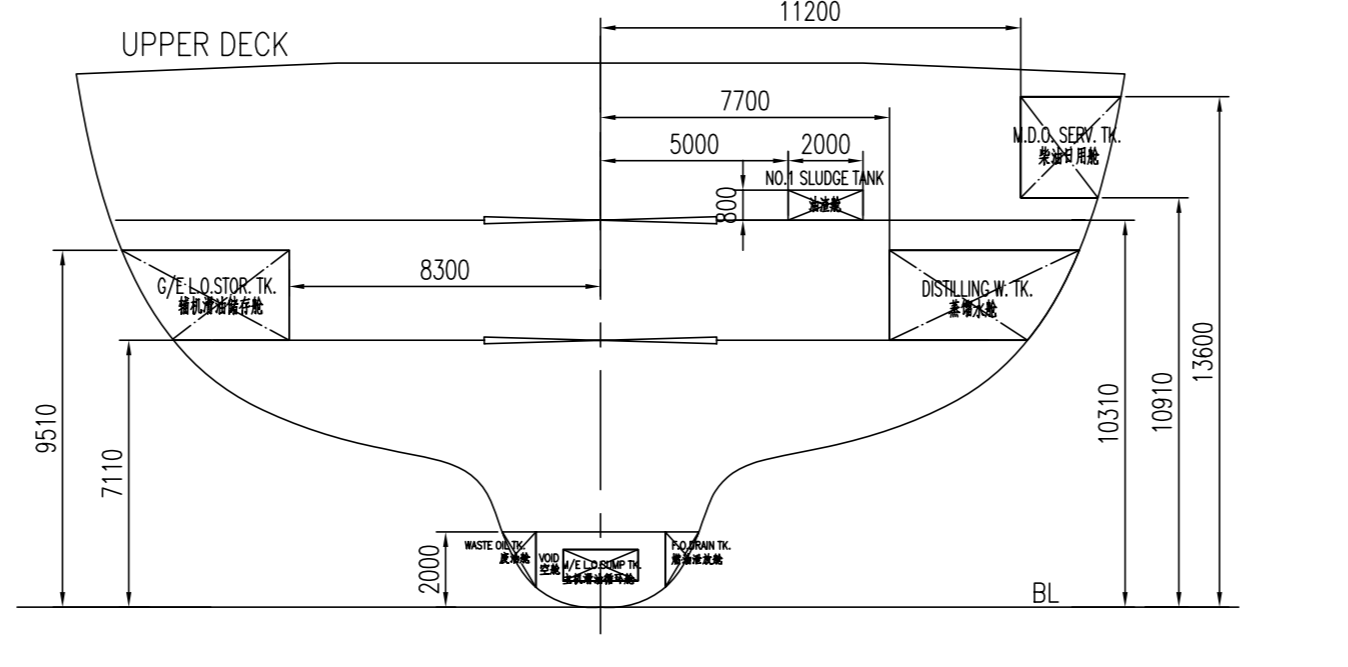
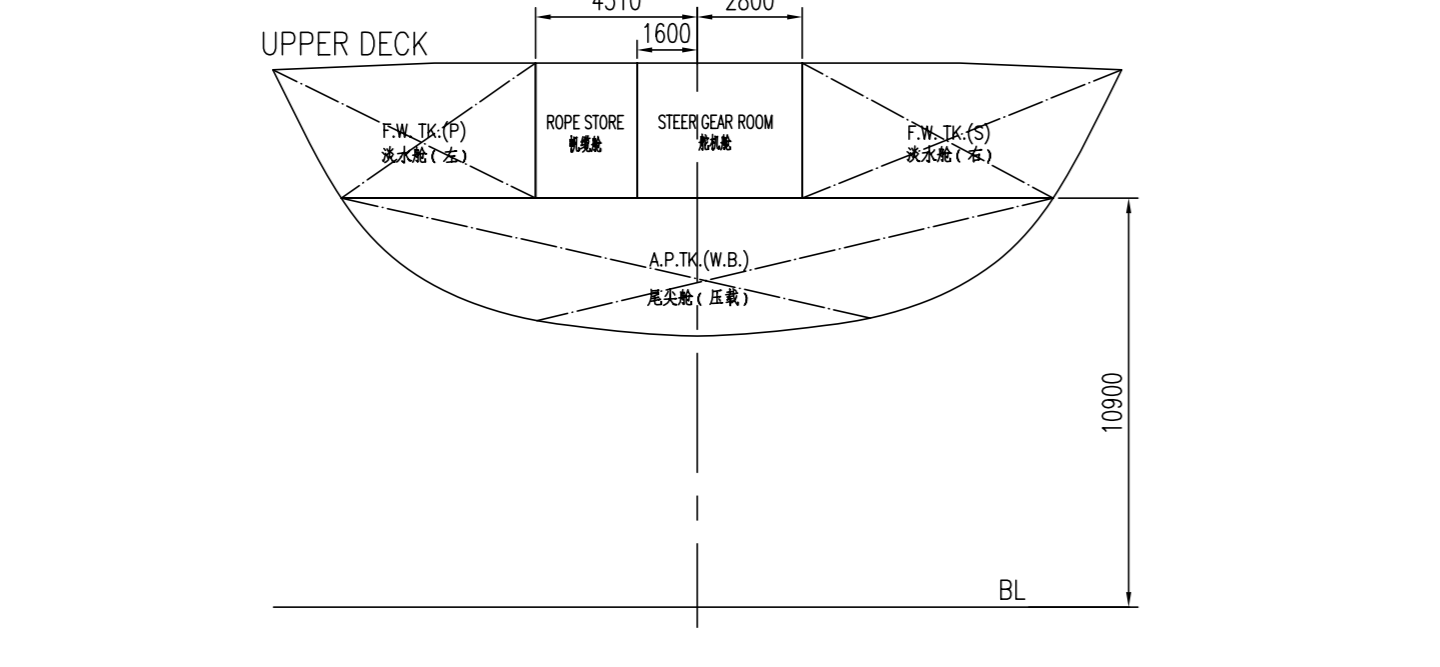
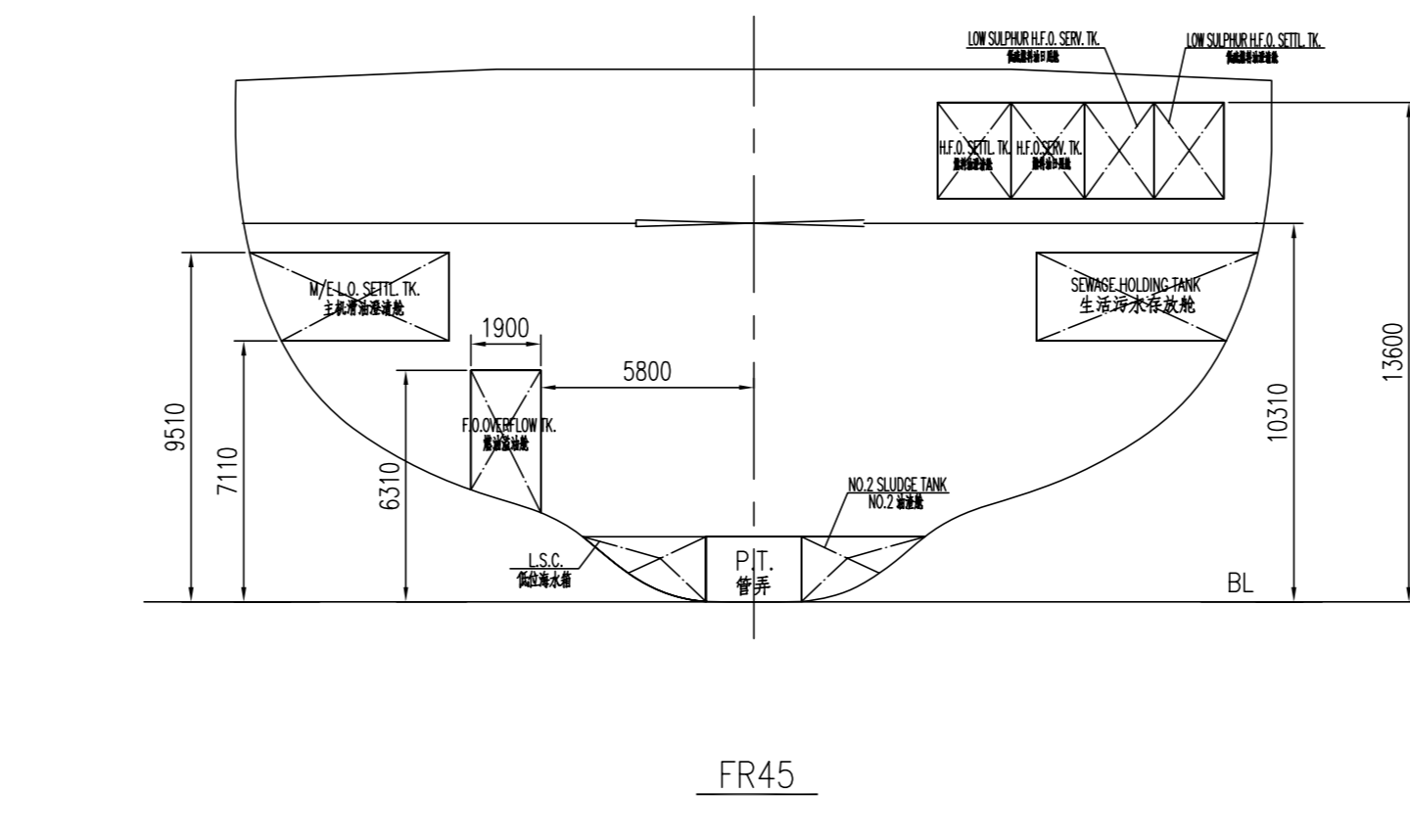
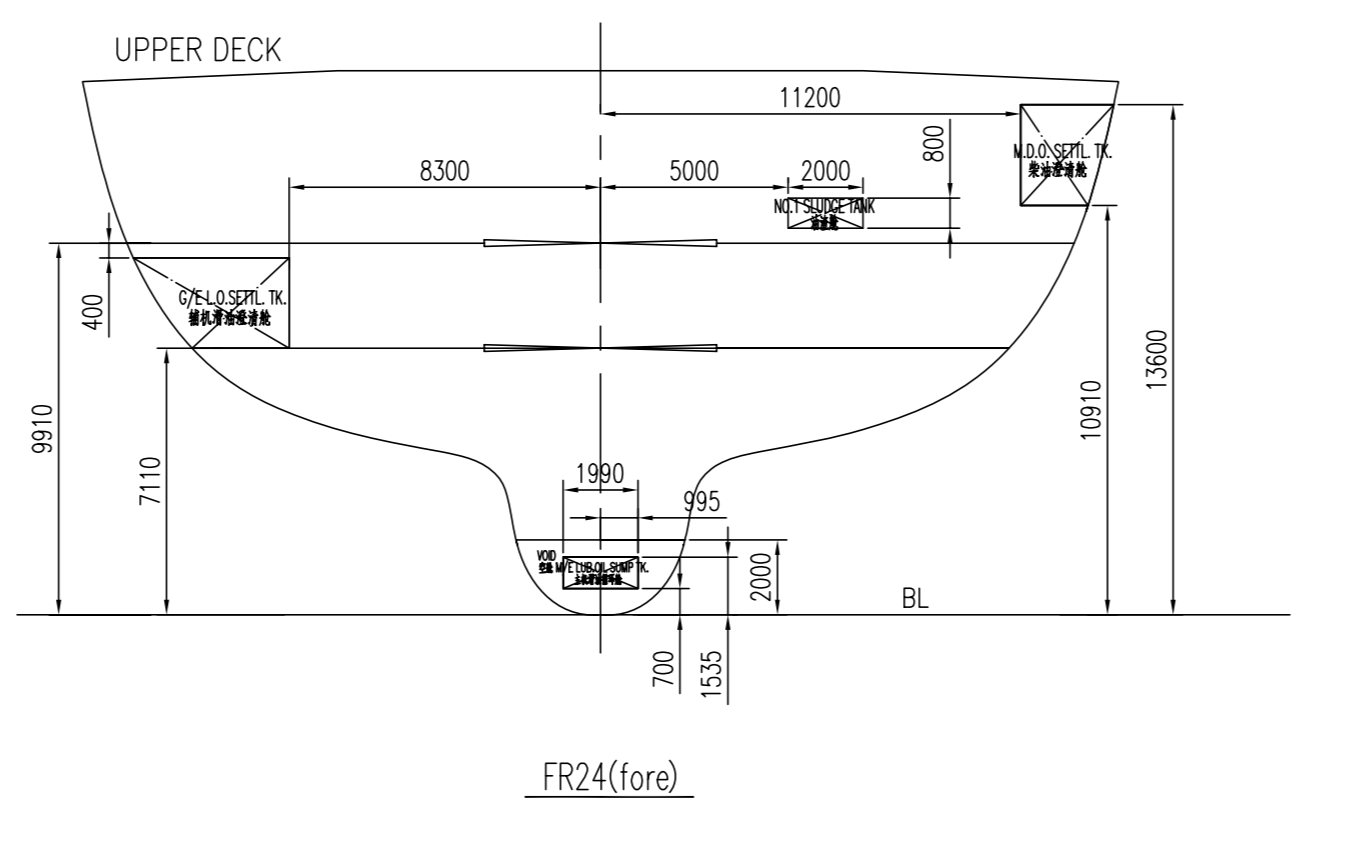
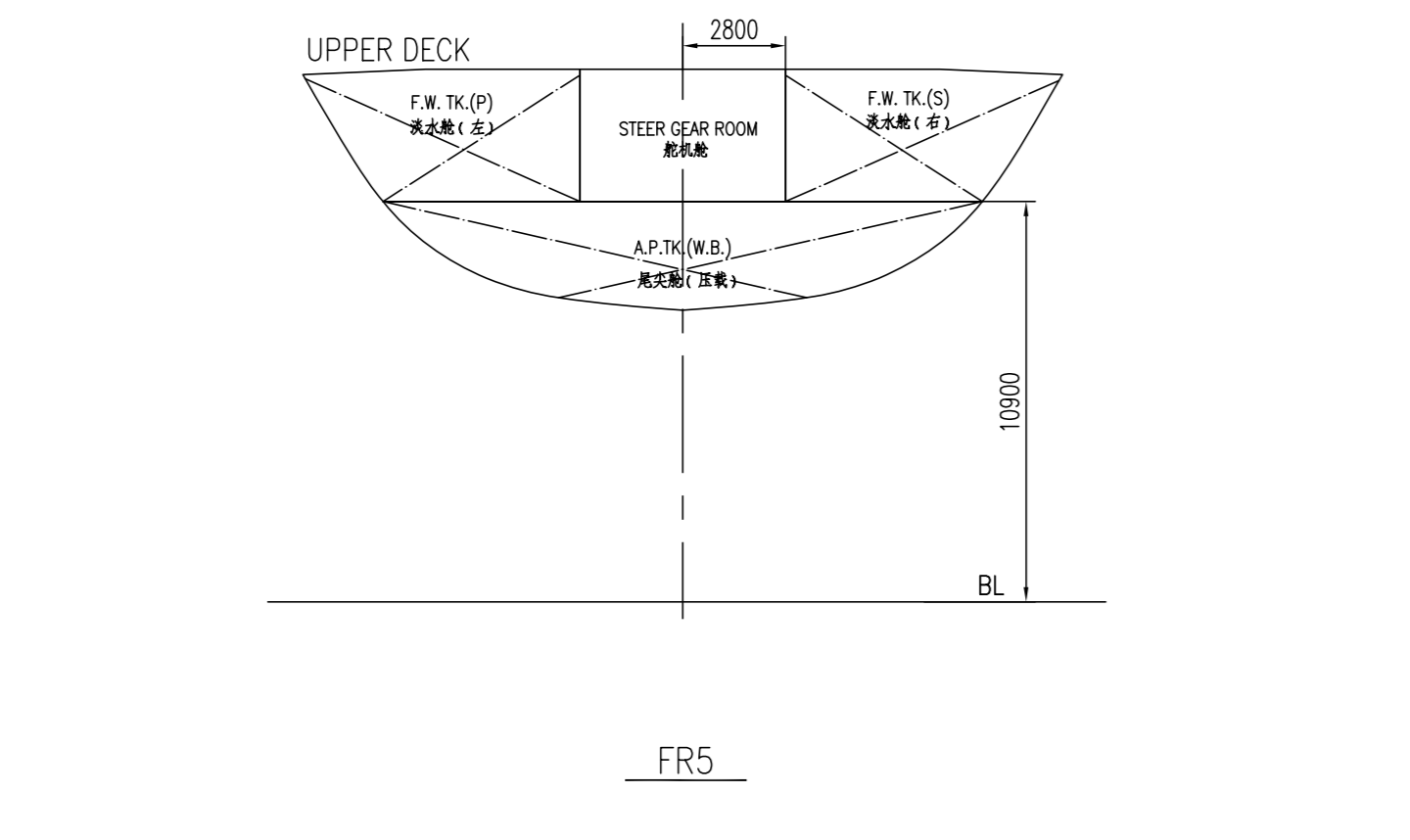
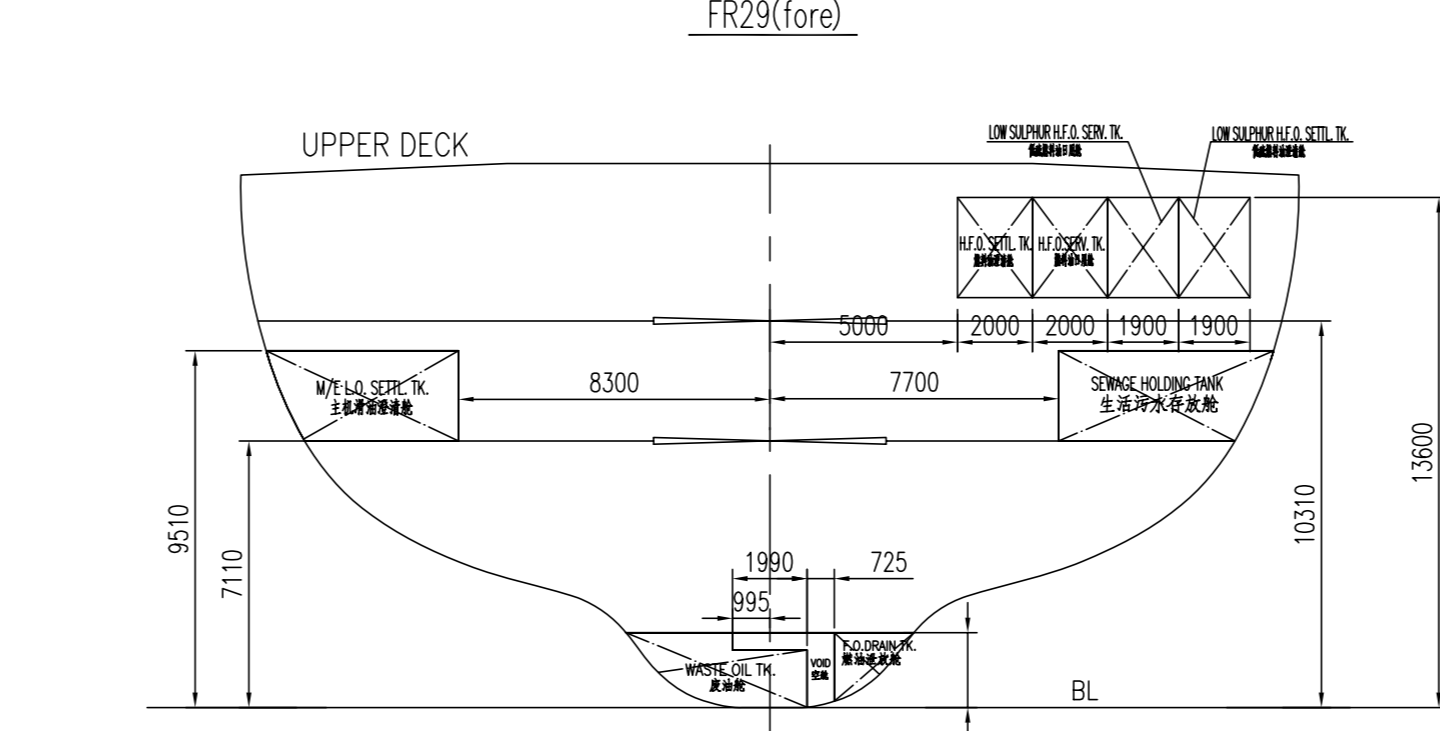
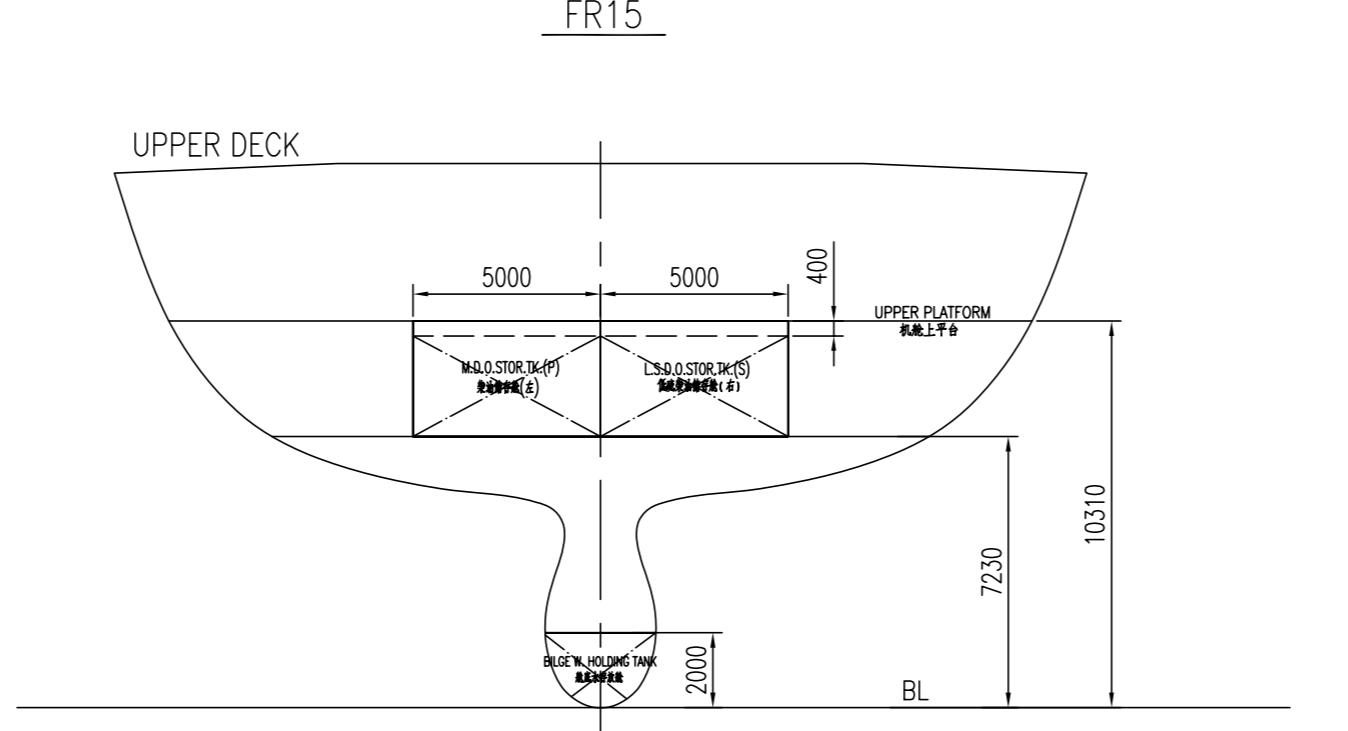
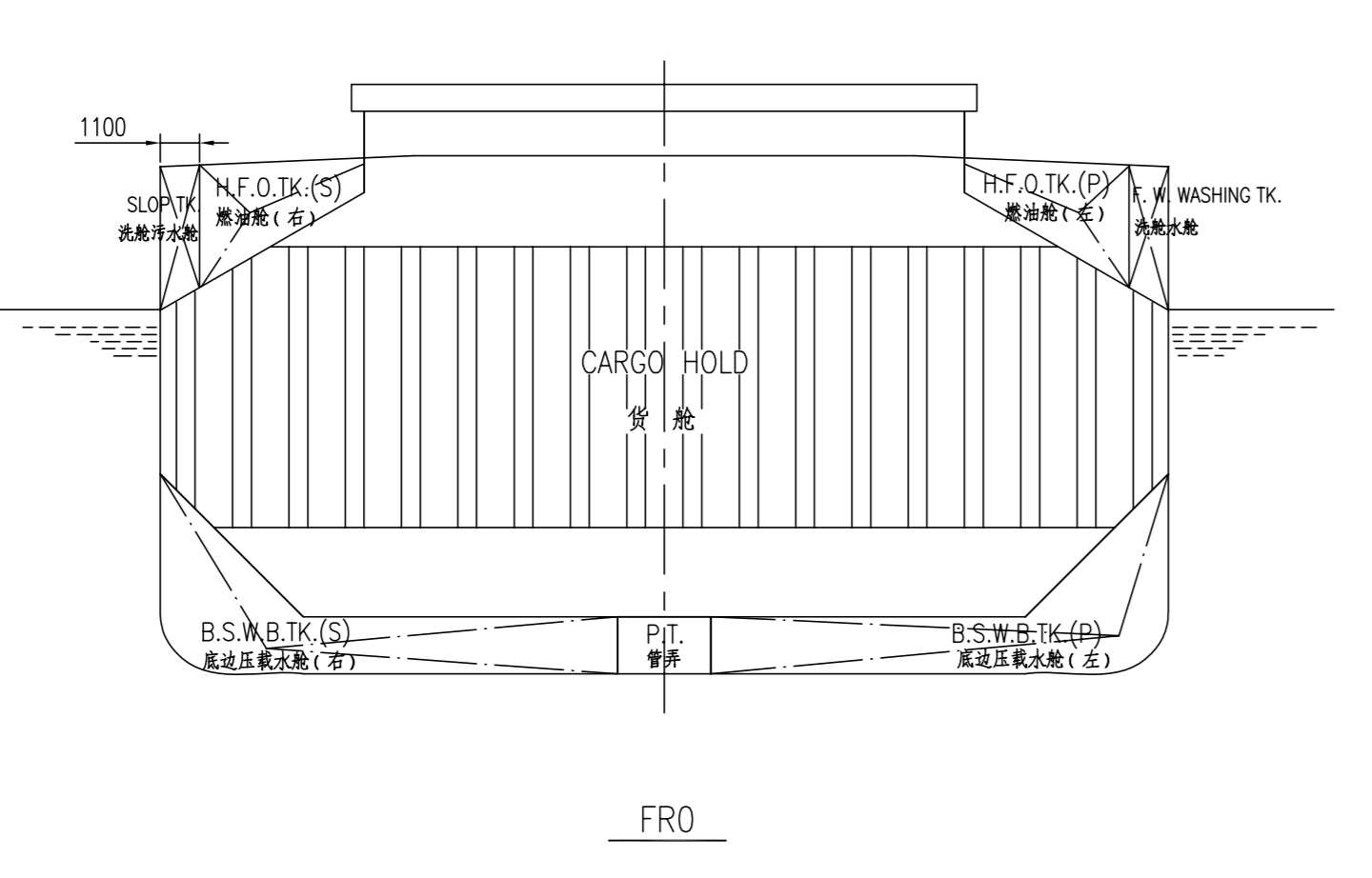
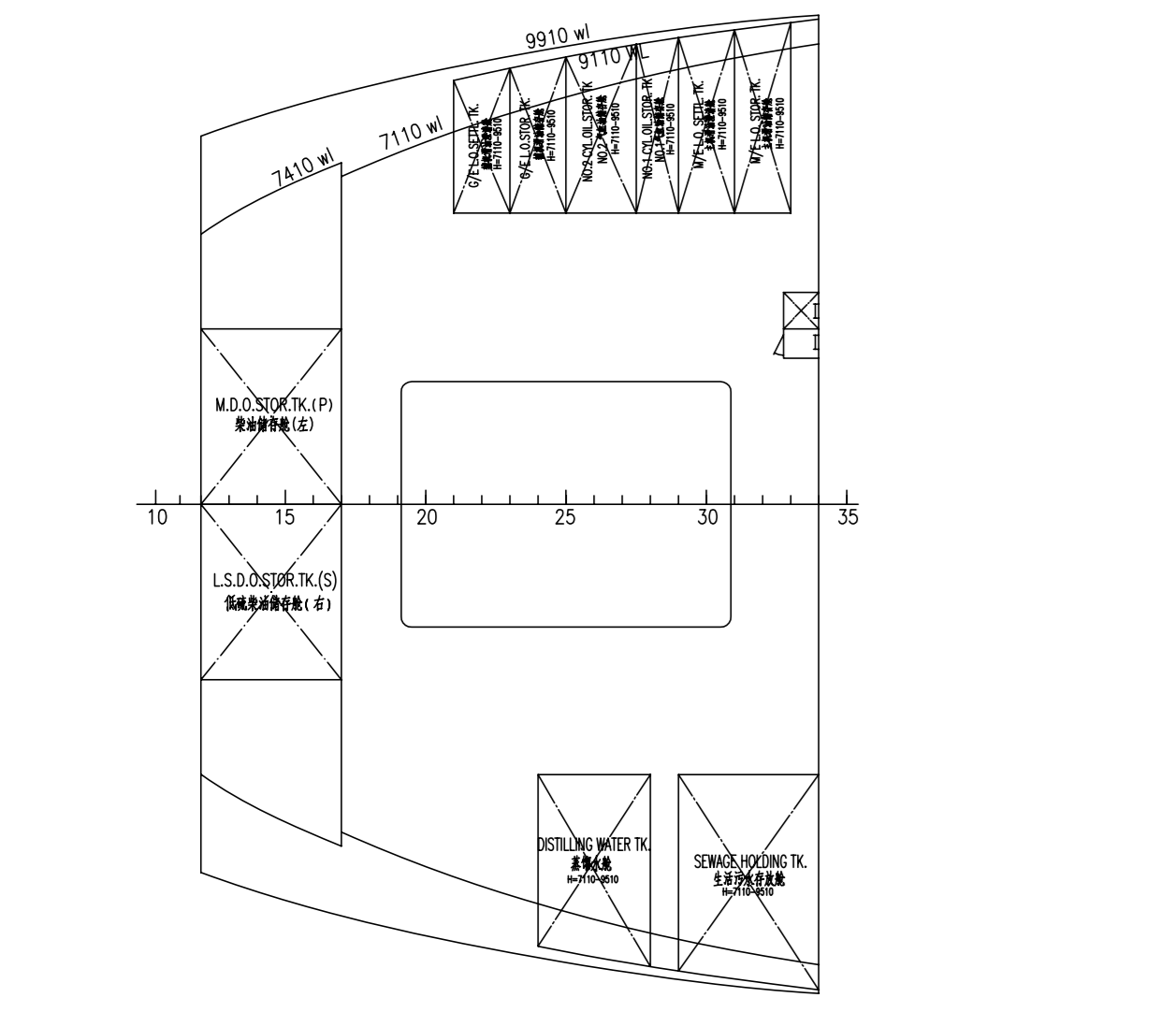


Table with 4 columns: Mark, Freeboard, Draught, Displacement, Deadweight. It lists values for Summer, Winter, and Tropical conditions.

PRINCIPAL DIMENSIONS table listing LENGTH (O.A.), LENGTH (P.P.), BREADTH (M.L.D.), DEPTH (M.L.D.), DESIGNED DRAFT, and SCANTLING DRAFT.

Table listing cargo hold details: NAME, FRMIN, FRMAX, VNET, L.C.G., T.C.G., V.C.G., and BALE.

Table listing tank details: NAME, Abbreviate, FRMIN, FRMAX, VNET, WEIGHT, L.C.G., T.C.G., V.C.G.

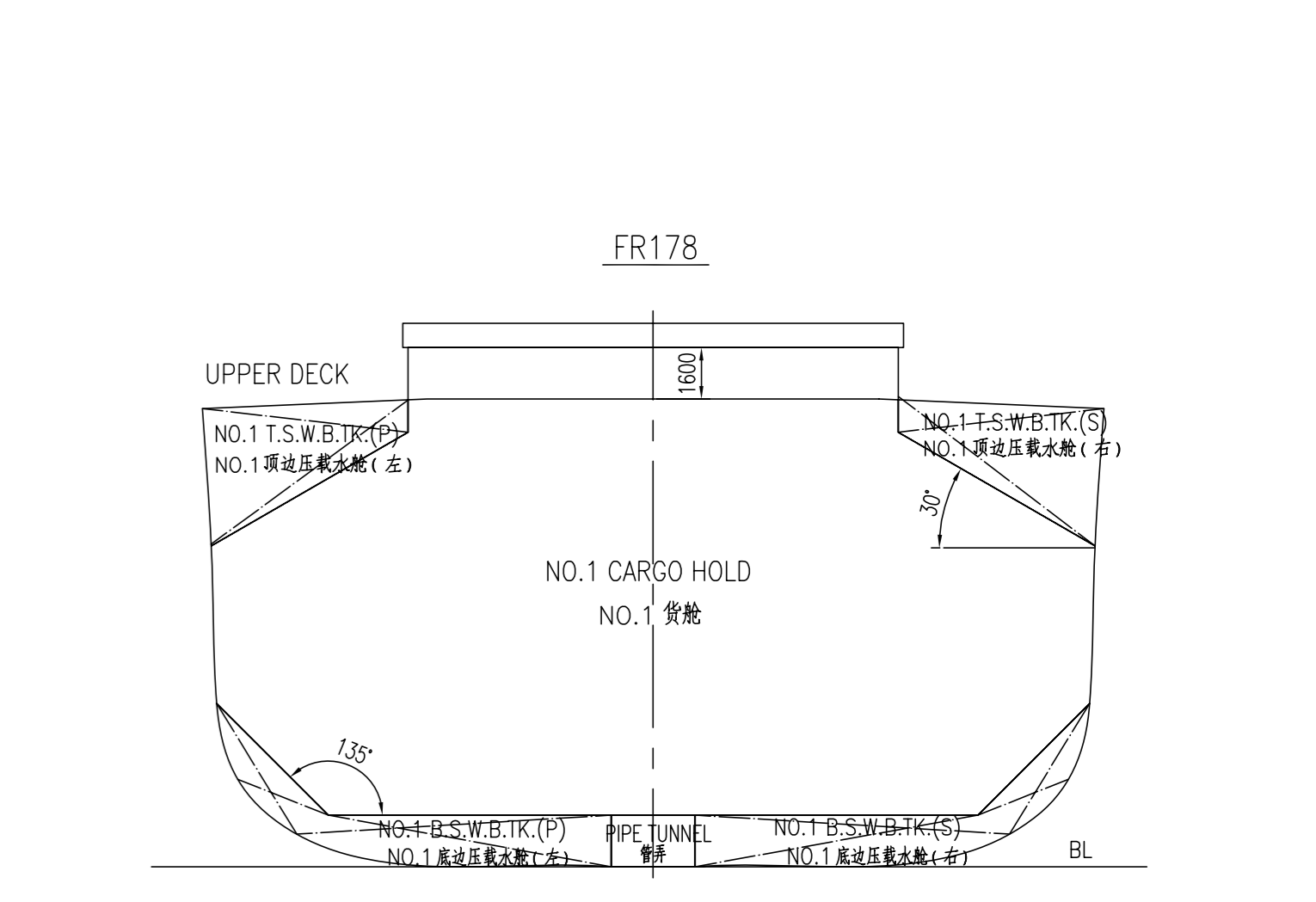
Table listing heavy fuel oil details: NAME, Abbreviate, FRMIN, FRMAX, VNET, WEIGHT, L.C.G., T.C.G., V.C.G.

Table listing diesel oil details: NAME, Abbreviate, FRMIN, FRMAX, VNET, WEIGHT, L.C.G., T.C.G., V.C.G.

Table listing lubricating oil details: NAME, Abbreviate, FRMIN, FRMAX, VNET, WEIGHT, L.C.G., T.C.G., V.C.G.

Table listing miscellaneous details: NAME, Abbreviate, FRMIN, FRMAX, VNET, WEIGHT, L.C.G., T.C.G., V.C.G.

NOTE: 1. T.C.G. (-) STARBOARD SIDE (+) PORT SIDE 2. ORIGINAL COORDINATE OF L.C.G. IS LOCATED AT FRAME 0 (A.P.)



FINAL PLAN 完工图, 33000 DWT BULK CARRIER, 33000吨散货船, SC4489(YF)-103. Includes capacity plan and hull number.